



Large Pipe Clamp

RK IV

Order-number
57300001

V1

Serial-number



Bitte beachten Sie, dass das Produkt ohne vorliegende Betriebsanleitung in Landessprache nicht eingesetzt / in Betrieb gesetzt werden darf. Sollten Sie mit der Lieferung des Produkts keine Betriebsanleitung in Ihrer Landessprache erhalten haben, kontaktieren Sie uns bitte. In Länder der EU / EFTA senden wir Ihnen diese kostenlos nach. Für Länder außerhalb der EU / EFTA erstellen wir Ihnen gerne ein Angebot für eine Betriebsanleitung in Landessprache, falls die Übersetzung nicht durch den Händler/Importeur organisiert werden kann.

Please note that the product may not be used / put into operation without these operating instructions in the national language. If you did not receive operating instructions in your national language with the delivery of the product, please contact us. In countries of the EU / EFTA we will send them to you free of charge. For countries outside the EU / EFTA, we will be pleased to provide you with an offer for an operating manual in the national language if the translation cannot be organised by the dealer/importer.

1 Contents

1	Contents	2
2	Declaration of Conformity	4
3	General	6
3.1	Authorized use.....	6
3.2	Survey and construction	7
3.3	Technical Data	7
4	Safety	8
4.1	Explanation of basic concepts	8
4.2	Definition skilled worker / specialist.....	8
4.3	Safety symbols	8
4.4	Safety Marking.....	9
4.5	Personal safety requirements.....	9
4.6	Protective equipment	9
4.7	Accident prevention	10
4.8	Function Control	10
4.8.1	General	10
4.9	Safety procedures	11
4.9.1	General	11
4.9.2	Lifting equipment and forklift.....	11
4.10	Overload Protection.....	12
4.10.1	Unauthorized transportations.....	12
4.10.2	Unauthorized alterations.....	12
5	Installation	13
5.1	Mechanical connection	13
5.1.1	Attaching Variants.....	13
5.1.2	Standard flange plate.....	13
5.1.3	Suspension lug	13
5.1.4	Load hook and chains	13
6	Operating.....	14
6.1	Ajustments	14
6.1.1	Adjustment gripping range	14
6.1.2	Adjustment Centring Fork.....	14
6.2	Operating for devices with automatic release.....	15
6.2.1	Picture of the automatic release.....	15

7	Maintenance and care	16
7.1	Maintenance	16
7.2	Trouble shooting	17
7.3	Repairs.....	18
7.1	Safety procedures	18
8	Hints to the identification plate	19
8.1	Hints to the renting/leasing of PROBST devices.....	19

2 Declaration of Conformity

**Konformitätserklärung; Declaration of conformity ; Déclaration de Conformité;
Certificato di conformita ´norme CE; Declaración de conformidad**

DESCRIPTION: Large Pipe Clamp
RK IV

Hersteller: **PROBST GREIFTECHNIK VERLEGESYSTEME**
Manufacturer: Gottlieb-Daimlerstraße 6
Fabricant: 71729 Erdmannhausen
Costruttore: Probst Greiftechnik Verlegesysteme GmbH
Fabricante: info@probst.eu www.probst.eu

Einschlägige Bestimmungen, denen die Maschine entspricht:

Complies with the following provisions applying to it:
Spécifications respective qui sont conformes à la machine:
Definizione che sono conformi alla macchina:
Cumple con las siguientes provisiones aplicables a:

2006/42/EG (Maschinenrichtlinie)

EC-machinery directive 2006/42/EG
Idée directrice EC 2006/42/EG
EG-linea di Guida CE 2006/42/EG
Directrices de la CE 2006/42/EG

Fundstellen der harmonisierten Normen:

Applied harmonized standards in particular:
Lieux de découverte des normes harmonisées:
Luogo di accertamento delle norme armonizzate
Aplicados en particular los siguientes estándares

**DIN EN 12100-1 2003
(ISO 12100-1)**

Sicherheit von Maschinen, Grundbegriffe, allgemeine Gestaltungsleitsätze, Teil 1: Grundsätzliche Terminologie, Methodik.

Safety of machinery; Basic concepts, general principles for design,
Part 1: Basic terminology, methodology.

Sécurité des machines; notions fondamentales, principes
généraux de conception, Partie 1: terminologie de base,
méthodologie.

Sicurezza della macchina, nozioni fondamentali, verifica della
struttura generale, Parte 1: terminologia di base, metodologia.

Seguridad de la maquinaria; conceptos básicos, principios
generales de diseño, parte 1: terminología básica, metodología.

**EN ISO 12100-2 2003
(ISO 12100-2)**

**Sicherheit von Maschinen, Grundbegriffe, allgemeine
Gestaltungsleitsätze, Teil 2: Technische Leitsätze und
Spezifikationen.**

Safety of machinery; basic concepts, general principles for design;
Part 2: principles and specifications.

Sécurité des machines; notions fondamentales, principes
généraux de conception; Partie 2: Principes et spécifications
techniques.

Sicurezza della macchina, nozioni fondamentali, verifica della
struttura generale; Parte 2: principi e specifiche tecniche.

Seguridad de la maquinaria; conceptos básicos, principios
generales de diseño, parte 2: principios y especificaciones.

DIN EN ISO 13857 2008

**Sicherheit von Maschinen - Sicherheitsabstände gegen das
Erreichen von Gefährdungsbereichen mit den oberen u.
unteren Gliedmaßen.**

Safety of machinery — Safety distances to prevent hazard zones
being reached by upper and lower limbs

Sécurité des machines — Distances de sécurité empêchant les
membres supérieurs et inférieurs d'atteindre les zones dangereuses.

Sicurezza della macchina — Distanza di sicurezza al fine di evitare
pericolo di passaggio sotto e basso carichi sospesi.

Seguridad de la maquinaria — Distancia de seguridad con el fin de
evitar que las extremidades superiores y inferior del cuerpo alcancen
las zonas de peligro.

**DIN EN 349 1993
(ISO 13854) 1996**

**Mindestabstände zur Vermeidung des Quetschens von
Körperteilen.**

Minimum distance to avoid squeezing any parts of the body.

Distances minimum afin d'éviter une contusion des parties du corps.

Distanza minima al fine di evitare contusioni di parti del corpo.

Distancia mínima con el fin de evitar contusiones en cualquier parte
del cuerpo.

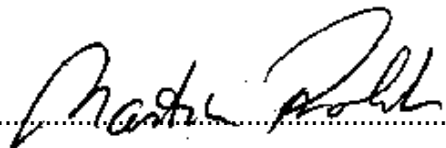
Authorized person for EC-dokumentation:

Name: J. Holderied

Address: Probst Greiftechnik • Verlegesysteme GmbH; Gottlieb-Daimler-Str. 6; D-71729 Erdmannhausen

Signature:

Erdmannhausen, 03.02.2011.....
(M. Probst, Managing director)



3 General

3.1 Authorized use

The device (RK IV) is suitable for lifting and positioning of manhole rings/cones and concrete pipes (nominal width 1000-1800 mm/40-71").

Through the fully mechanical operation of this device it can be used with any lifting equipment.

It is not allowed to exceed the opening width/-range and the load capacity of the device!
(See „Technical Data“)



The use of the device is only permitted in proximity to the ground.



- The device is only designed for the use specified in this documentation.
- Every other use is not authorized and is forbidden!
- All relevant safety regulations, especially regulations of the declaration of conformity, and additional local health and safety regulations have to be observed.

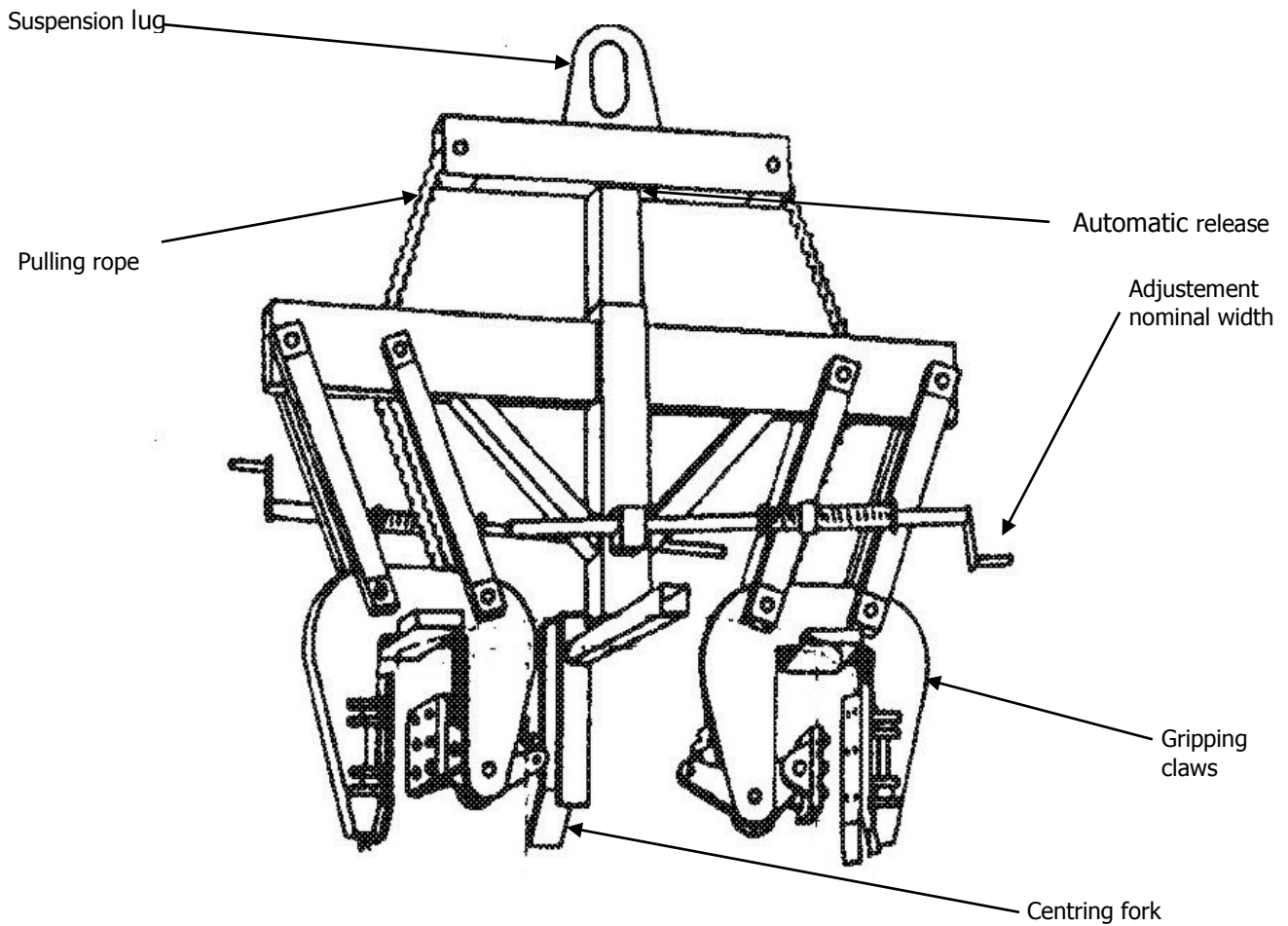


Prior to every operation the user must ensure that:

- the equipment is suited to the intended operation,
- the functioning and the working condition of the equipment is examined,
- the loads are suitable to be handled.

Any doubts about instructions should be raised with the manufacturer prior to use.

3.2 Survey and construction



3.3 Technical Data

Type:	Nominal width NW [in]	Number of gripping claws	Öffnungsweite [in]	Tragfähigkeit [lbs]	Eigengewicht [lbs]
RK IV	1.000 - 1.800 mm [40-71"]	2	85 - 220 / 135 - 270 mm [3 ³ / ₈ -8 ³ / ₄ "/5 ¹ / ₄ - 10 ⁵ / ₈]	7.500 [16.500]	600 [1.320]

4 Safety

4.1 Explanation of basic concepts

- Gripping range: specify the minimum and maximum product measurements of the gripping good, which can be gripped with this device.
- Gripping good (s): is the product, which will be gripped or transported.
- Opening width: consists of the gripping range and the measure to drive over the gripping good.
gripping range + measure to drive over the gripping good = opening width
- Immersion depth: is the maximum gripping height of gripping goods, conditional of the height of the gripping arms of the device.
- Device: is the description for the gripping device.
- Product dimensions: Are the dimensions of the gripping good (e.g. length, breadth, height of the product).
- Dead weight: is the own weight (without gripping good) of the device.
- Load capacity: specify the maximum possible load of the device (lifting of gripping goods).




4.2 Definition skilled worker / specialist

Only skilled workers or specialists is it allowed to carry out the installation, - maintenance, - and repair work on these device!




Skilled workers or specialists must have for the following points (if it applies for these device), the necessary professional knowledge.

- for mechanic
- for hydraulics
- for pneumatics
- for electrics

4.3 Safety symbols

 Danger	<p><u>Danger to life!</u> Identifies imminent hazard. If you do not avoid the hazard, death or severe injury will result.</p>
 Attention	<p><u>Hazardous situation!</u> Identifies a potentially hazardous situation. If you do not avoid the situation, injury or damage to property can result.</p>
 Prohibition	<p><u>Prohibition!</u> Identifies imminent a prohibition. If you do not avoid the prohibition, death and severe injury, or damage to property will result.</p>

4.4 Safety Marking

	It is not allowed to be under hanging loads. Danger to life!	2904.0210 2904.0209 2904.0204	30 mm 50 mm 80 mm
WARNING SIGN			
Symbol	Meaning	Order-No.:	Size:
	Danger of squeezing the hands.	2904.0221 2904.0220 2904.0107	30 mm 50 mm 80 mm
REGULATORY SIGN			
Symbol	Meaning	Order-No.:	Size:
	Read operating instructions before operating.	2904.0366 2904.0365	30x57 mm 50x95 mm

4.5 Personal safety requirements

- Only qualified, authorized certificated personal is allowed to operate the device and all devices which are connected (lifting equipment).



- Each operator must have read and understood the operating instructions.
- The manual guiding is only allowed for machines with handles.



4.6 Protective equipment

The protective equipment must consist, according to the safety regulations of the following parts:

- Protective clothing
- Safety gloves
- Safety shoes

4.7 Accident prevention



Danger

- The operating range have to be covered for unauthorized persons, especially children.
- The workplace have to be sufficiently illuminated.



Prohibition

- The working with the device in case of atmospheric editions under 37,5° F is forbidden!
Because the goods could be fall down caused by dampness or freezing.



Attention



Danger

- Take care handling wet, dirty and not solidified components.
- Take care in case of thunderstorm!

4.8 Function Control

4.8.1 General

- Before using the device check the functions and the working condition.
- Maintenance and lubrication are only permitted when device is shut down!
- Do not use the device, until all faults which can cause safety hazards are removed.
- If there are any cracks, splits or damaged parts on any parts of the device, **immediately** stop using it.
- The operating instructions must be available at the workplace every time.
- Do not remove the data-plates of the machine.
- Unrecognisable data-plates must be replaced.

4.9 Safety procedures

4.9.1 General



Danger

- The use of the device is only permitted in proximity to the ground. Do not swing it over peoples heads.



Prohibition

- While using the device is the stay of persons in the working area forbidden. Except it is indispensable. Caused of the way of using the device, e.g. if the device must be leaded by hand.

- While using the device be sure that there are no persons in the working area.

Danger to Life!

- The operator is not allowed to leave the control unit as long as the device loaded with load. The load must always be in the range of vision of the operator.

- The manual guiding of is only allowed for devices with handles.

- **Never exceed the carrying capacity and the nominal width/gripping range of the device.**



Prohibition

- **The jerky lifting and lowering of the device with and without load. e.g. caused through driving fast with the support frame/lifting device over uneven grounds is forbidden. Because the gripping good could fall down.**

Unchecked movements of the device.



Danger



Prohibition

- Do not use the device to jerk seized products.
- Do not lift any components off-centre, because that could fall down.
- The device should not be opened if the opening path of the gripping arm is blocked by a resistance (e.g. other concrete blocks or the like)!
- **Never** pull or drag loads sideways. Otherwise parts of the device could be damaged. (see Fig. A)

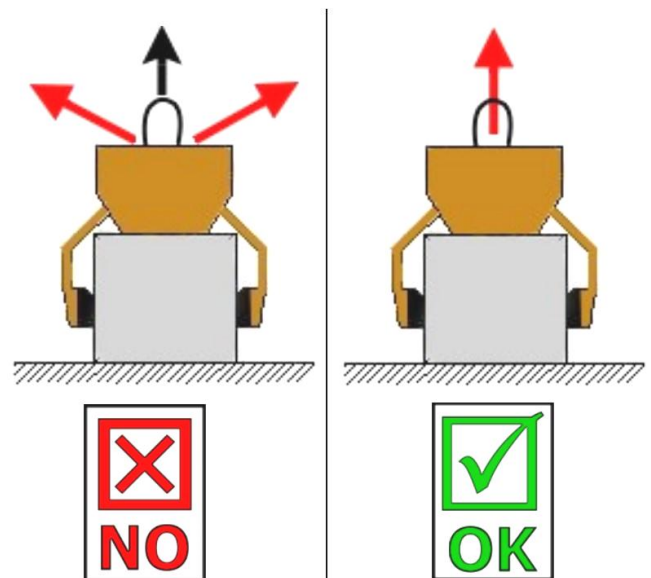


Fig. A

4.9.2 Lifting equipment and forklift

- The lifting equipment / forklift including truss has to be in good, safe working condition.
- Take care that the maximum capacity of the lifting equipment / fork lift is not exceeded!
- Only authorized, certificated and qualified personnel is allowed to operate the lifting equipment / fork lift.
- The operator staff must have all the necessary qualifications.

4.10 Overload Protection

As diverse fork lifts have different hydraulic pressures, is the device equipped with an excess pressure valve to avoid excess pressure.
This valve is adjusted and sealed by the manufacturer.



Prohibition

Do not remove the sealing without contact to the manufacturer!

4.10.1 Unauthorized transportations



Prohibition

All unauthorized transportations with the device are not allowed!

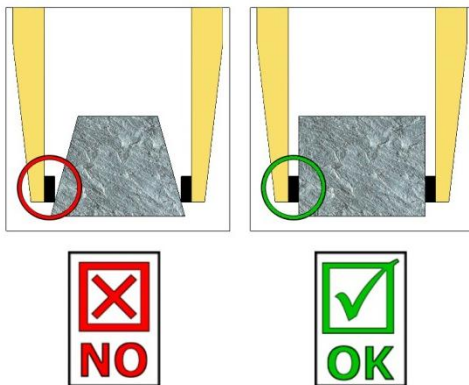


Fig. 1

- Transportation of people and animals.
- Transportation of other loads and material than described in this manual.
- Transportation of **non rectangular** and **round** gripping goods, because they could fall down. (→ Fig. 1)
- Never suspend any goods with ropes, chains or similar at the device.
- Gripping of gripping goods with packaging foil, because they could fall down.
- Transportation of material with "feet", "bellies" and "blind spacers".

4.10.2 Unauthorized alterations



Prohibition

All unauthorized alterations of the device and the use of any self-made additional equipment could cause danger and are therefore forbidden!!

5 Installation

5.1 Mechanical connection

5.1.1 Attaching Variants

If the device (RK) is used with a forklift truck the eyelet can be removed from the flange plate.

According to the operating condition a turning device can be attached on the flange plate, in conjunction with a inserted hand-winding device (as overload protection).

On the other hand it can either mounted on the fork sleeves or on a crane boom.



Prohibition

Take care that the load capacity of the lifting device/support frame is not exceeded, through the load of the device (RK), the attaching devices (turning device, fork sleeves etc.) and the additional load of the gripping goods (manhole rings)!

5.1.2 Standard flange plate

- The device is attached to the lifting equipment with a standard flange plate or a custom made flange plate connection.
- Attaching the device to the lifting equipment take care that all local safety regulation are observed.
- **It is not allowed to exceed the load capacity of the lifting equipment with the device and the maximum load.**

5.1.3 Suspension lug

- The device is equipped with a suspension lug and can be mounted on various support frames.
- Be careful that the suspension lug is safety joined with the crane hook and can not slip down.
- **The maximum load of the support frame is not allowed to cross over the dead weight of the device and the maximum load.**

5.1.4 Load hook and chains

- Fit suspension ring in the load hook of the lifting equipment
- **Please ensure that the single chains are not twisted and may be easily pulled through the jaws.**
- Attaching the device to the lifting equipment take care that all local safety regulation are observed.
- **It is not allowed to exceed the carrying capacity of the lifting equipment with the device and the maximum load.**

6 Operating

6.1 Adjustments

Connect the device (RK IV) with the eyelet to the lifting equipment or the forklift truck.

The lifting equipment has to be adjusted to the capacity of the device (RK IV)!

By adjusting the opening width/range (NW) the device (RK IV) can lift different sizes of gripping goods (manhole rings and concrete pipes).

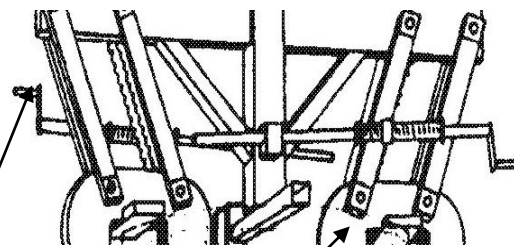
Adjust the corresponding gripping range for the opening width(NW) before lifting the gripping goods:

6.1.1 Adjustment gripping range

The device (RK IV) is equipped with two crank handles to adjust the gripping range. Be sure that of adjustment of the device (RK IV) is symmetrical on both sides.

Nominal width-adjustment
with crank handle

Gripping claw



6.1.2 Adjustment Centring Fork

- Turn the spring-bolt until it is lifted.
- Move the rectangular tubes until the width (NW) is set.
- The centring fork is used as third claw.
- Turn the spring-bolt back and engage it in the hole.

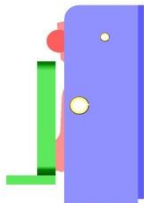
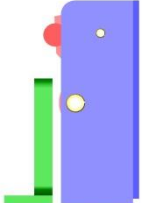
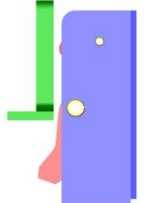
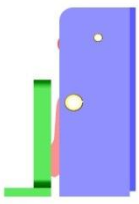
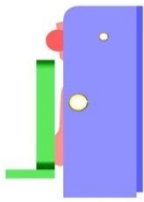
6.2 Operating for devices with automatic release

- The device is connected to the lifting equipment.
- Before lifting the device, the gripping range have to be adjusted.
- The device is placed over the product, set down, the device closes round the product and it can be lifted.
- Set down on the ground again, the device opens automatically, the automatic release locks it into position so that the device can be lifted without closing up.
- Placed over the next product, the automatic release disengages itself and the product can be lifted.
- The device therefore is a ONE-MAN-MACHINE.

6.2.1 Picture of the automatic release

The device is mounted with a automatic release, that means the opening and closing of the gripping arms results through the set down and lifting of the device.

Pictures the positions of the automatic release

<ul style="list-style-type: none"> • Device is lifted through the support frame. • Gripping arms are opened. 	<ul style="list-style-type: none"> • Device is set up on the gripping good. • Gripping arms are opened. 	<ul style="list-style-type: none"> • Device is lifted through the support frame. • Gripping good is clamped and can be transported to the destination.
<p>①</p> 	<p>②</p> 	<p>③</p> 
<ul style="list-style-type: none"> ▪ Device is lifted through the support frame. ▪ Gripping arms are opened. 	<ul style="list-style-type: none"> ▪ Device is set up on the gripping good. ▪ Gripping arms are opened. 	<ul style="list-style-type: none"> ▪ Device is lifted through the support frame. ▪ Gripping good is clamped and can be transported to the destination.
<p>④</p> 	<p>⑤ / ①</p> 	
<ul style="list-style-type: none"> ▪ Device is set down with the gripping good (on the ground). ▪ Gripping arms are opened. 	<ul style="list-style-type: none"> ▪ Device is lifted through the support frame. ▪ Gripping arms are opened. (laydown position of the device on the ground) 	

7 Maintenance and care

7.1 Maintenance



To ensure the correct function, safety and service life of the device the following points must be executed in the maintenance interval.

Used **only original spare parts**, otherwise the warranty expires.



For all operations you have to make sure, that the device will not close unintended. Danger of injury!!!



All operations may only be made in closed state of the device!

MECHANICAL

Service interval

**First inspection after
25 operating hours**

After 50 operating hours

**Minimum 1x per year
(at rough conditions
shorten the interval)**

Maintenance work

- Control and tighten all screws and connection.
(The implementation is only allowed by an expert).
- Tighten all screws and connection (Take care that the tightening torques according to the property class of the screws are observed).
- Check all joints, bolts, guidance's and gears for correct function, if necessary adjust or replace it.
- Check all Grippers (if available) for signs of wear.
- Grease all slidings (if available) when the device is in opened position with a spatula.
- Check of all the suspension parts, bolts and straps. Check for corrosion and safety by an expert.

AUTOMATIC-RELEASE

Never grease the automatic-release, if necessary use oil!

7.2 Trouble shooting

ERROR	CAUSE	REPAIR
The clamping-power is not big enough, the load is slipping out		
(optional)	<ul style="list-style-type: none"> The grippers are worn 	<ul style="list-style-type: none"> Replace the grippers
(optional)	<ul style="list-style-type: none"> The maximum load is exceed 	<ul style="list-style-type: none"> Reduce the weight of. the load
(Adjustment of the opening width) (optional)	<ul style="list-style-type: none"> The actual opening width is not correct 	<ul style="list-style-type: none"> Adjust the opening width according to the load you want to transport
(Property of material)	<ul style="list-style-type: none"> The surface of the material is dirty or the material is not suitable / allowed for this device. 	<ul style="list-style-type: none"> Check the surface of the material or ask the manufacturer, if you the material is allowed for this device.
Unbalanced load		
	<ul style="list-style-type: none"> The device is not loaded symmetrically 	<ul style="list-style-type: none"> Adjust the position of the load
(Adjustment of the opening width) (optional)	<ul style="list-style-type: none"> The adjustment of the opening width is not symmetrical. 	<ul style="list-style-type: none"> Correct the adjustment of the opening width
Automatic release does not work		
mechanical (optional)	<ul style="list-style-type: none"> Automatic release does not work 	<ul style="list-style-type: none"> Clean automatic release with high pressure-cleaner Oil the automatic release (never with grease) Change the inset of the automatic release

8 Hints to the identification plate



Type, serial-number and production year are very important for the identification of your device. If you need information to spare-parts, warranty or other specific details please refer to these information.

The max. carrying capacity is the maximum load which can be handled with the device. Do not exceed this carrying capacity.

If you use the device in combination with other lifting equipment (Crane, chain hoist, forklift truck, excavator) consider the deadweight of the device

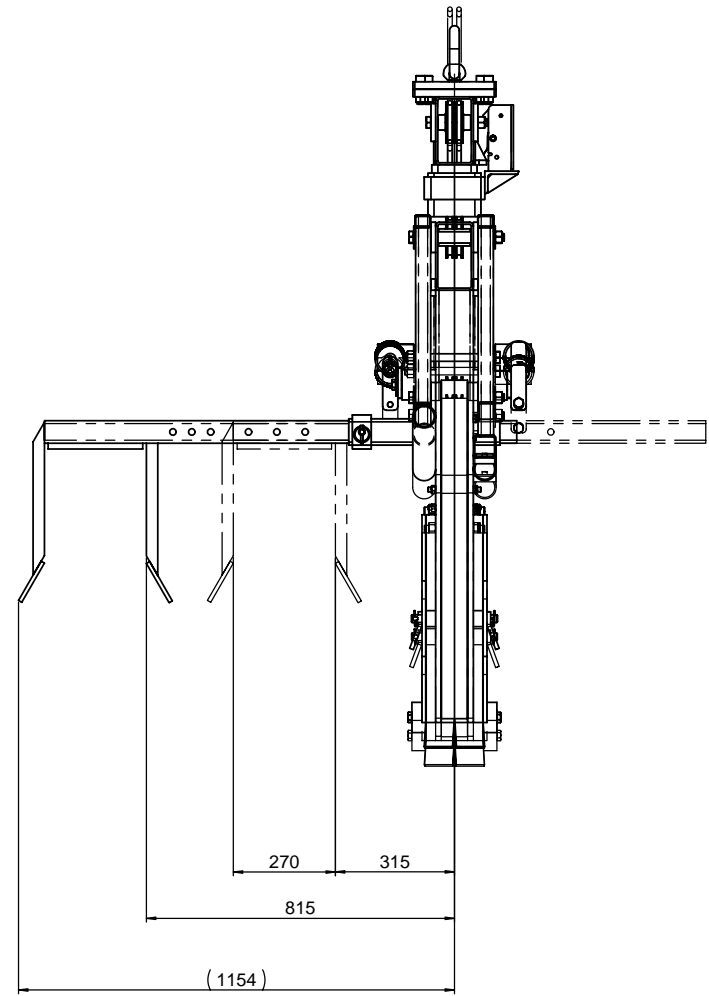
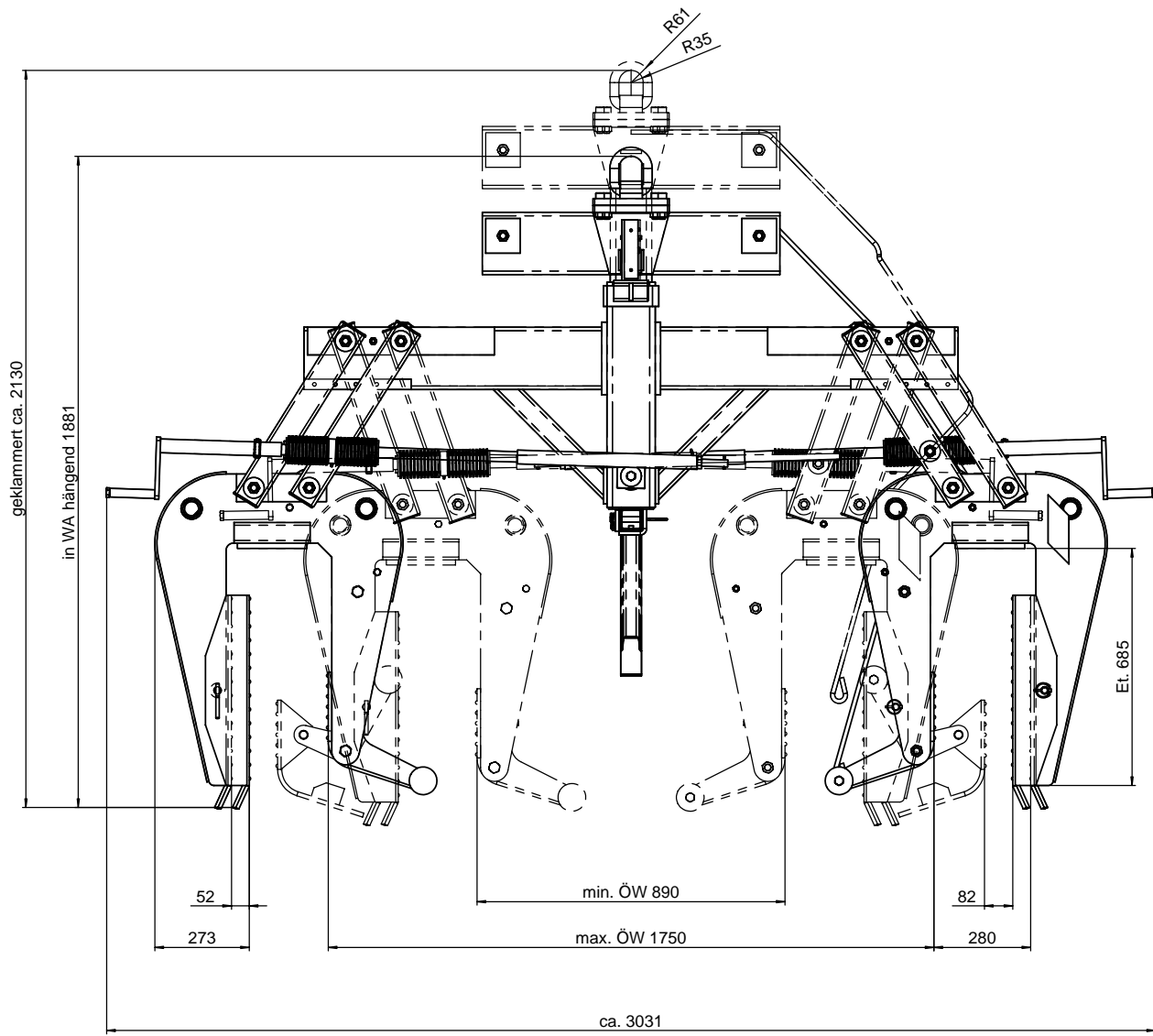


Example:

8.1 Hints to the renting/leasing of PROBST devices

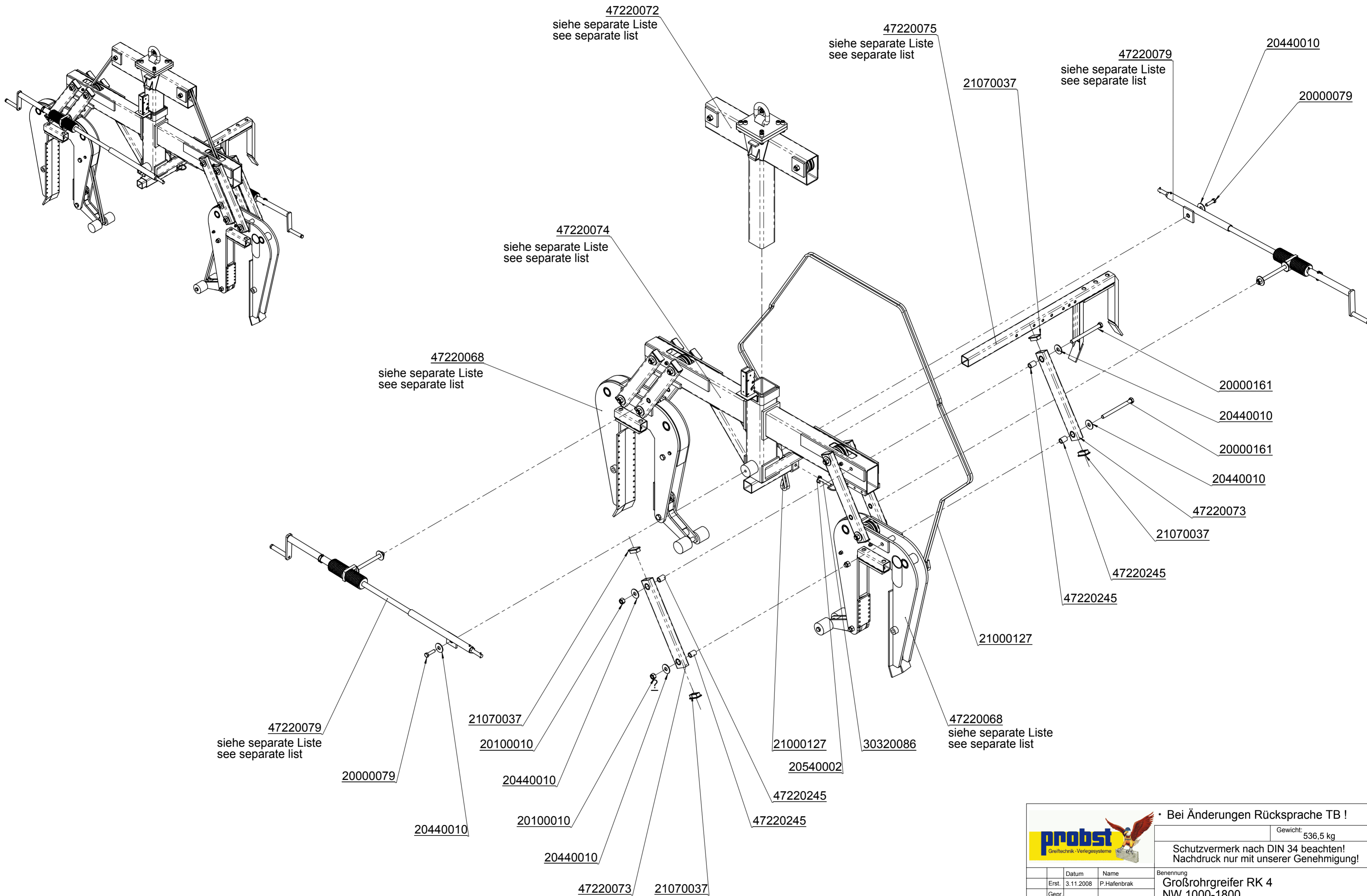


With every renting/leasing of PROBST devices the original operating instructions must be included unconditionally (in deviation of the users country's language, the respective translations of the original operating instructions must be delivered additionally)!



Tragfähigkeit: 7.500 kg
load capacity: 7.500 kg

			Bei Änderungen Rücksprache TB !		
			Gewicht: 531,9 kg		
Schutzvermerk nach DIN 34 beachten! Nachdruck nur mit unserer Genehmigung!					
	Datum	Name	Benennung		
	Erst.	31.5.2010	P.Hafenbrak		
	Gepr.		Großrohrgreifer RK 4		
			NW 1000-1800		
			Tragfähigkeit 7.500 kg		
	WA:		Artikelnummer/Zeichnungsnummer		Blatt
	Kunde:		D57300001		1
Zust.	Urspr.		Ers. f.	Ers. d.	von 1



Bei Änderungen Rücksprache TB !

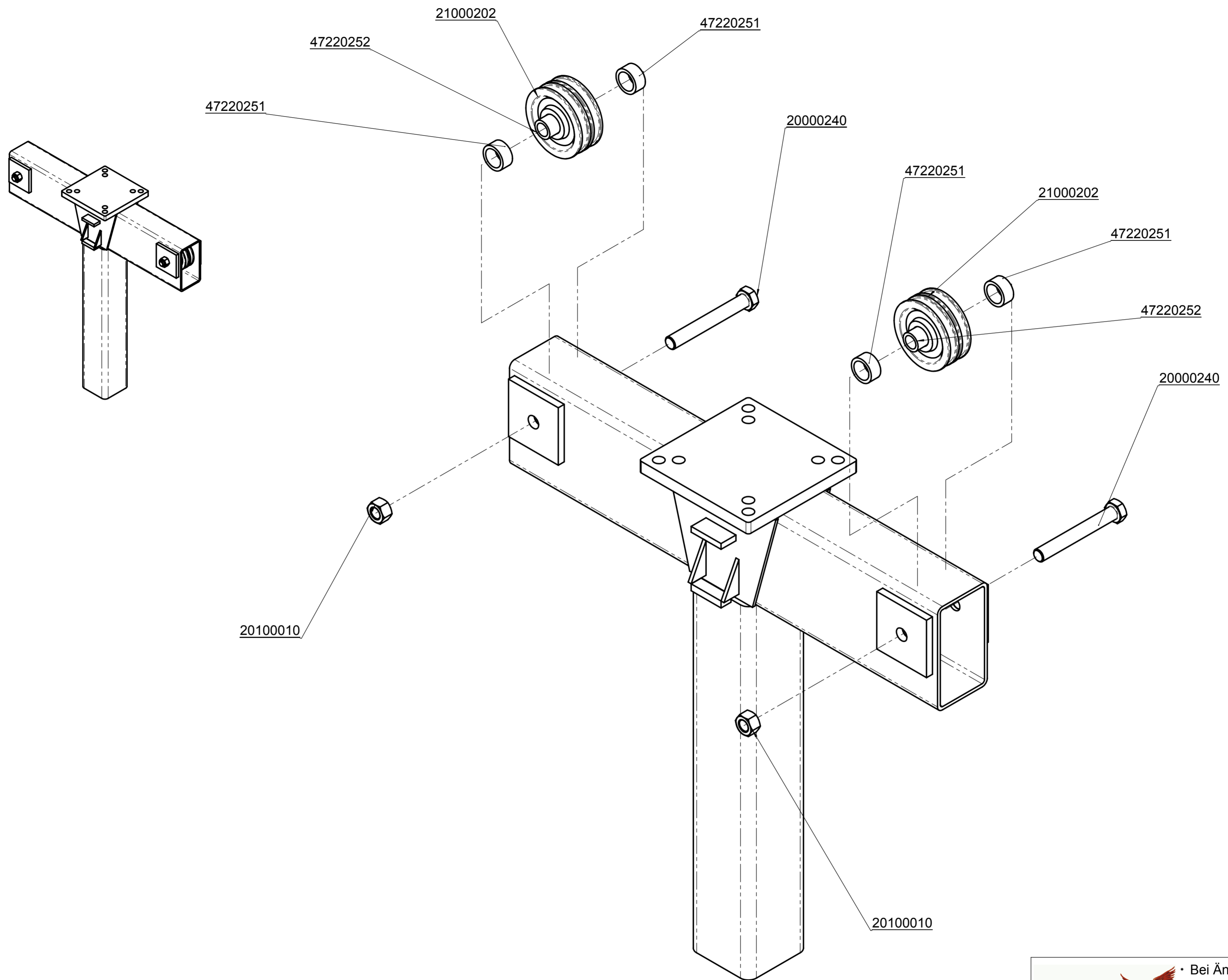
probst Greiftechnik - Verlegesysteme

Gewicht: 536,5 kg

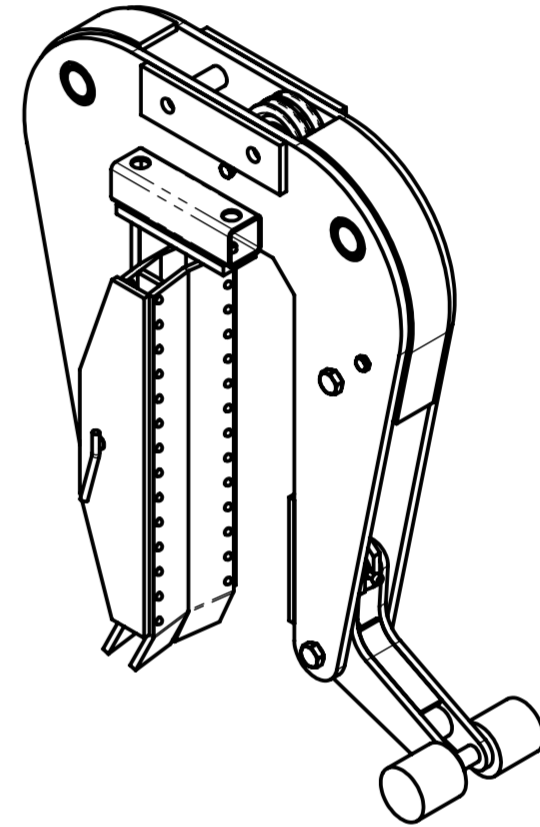
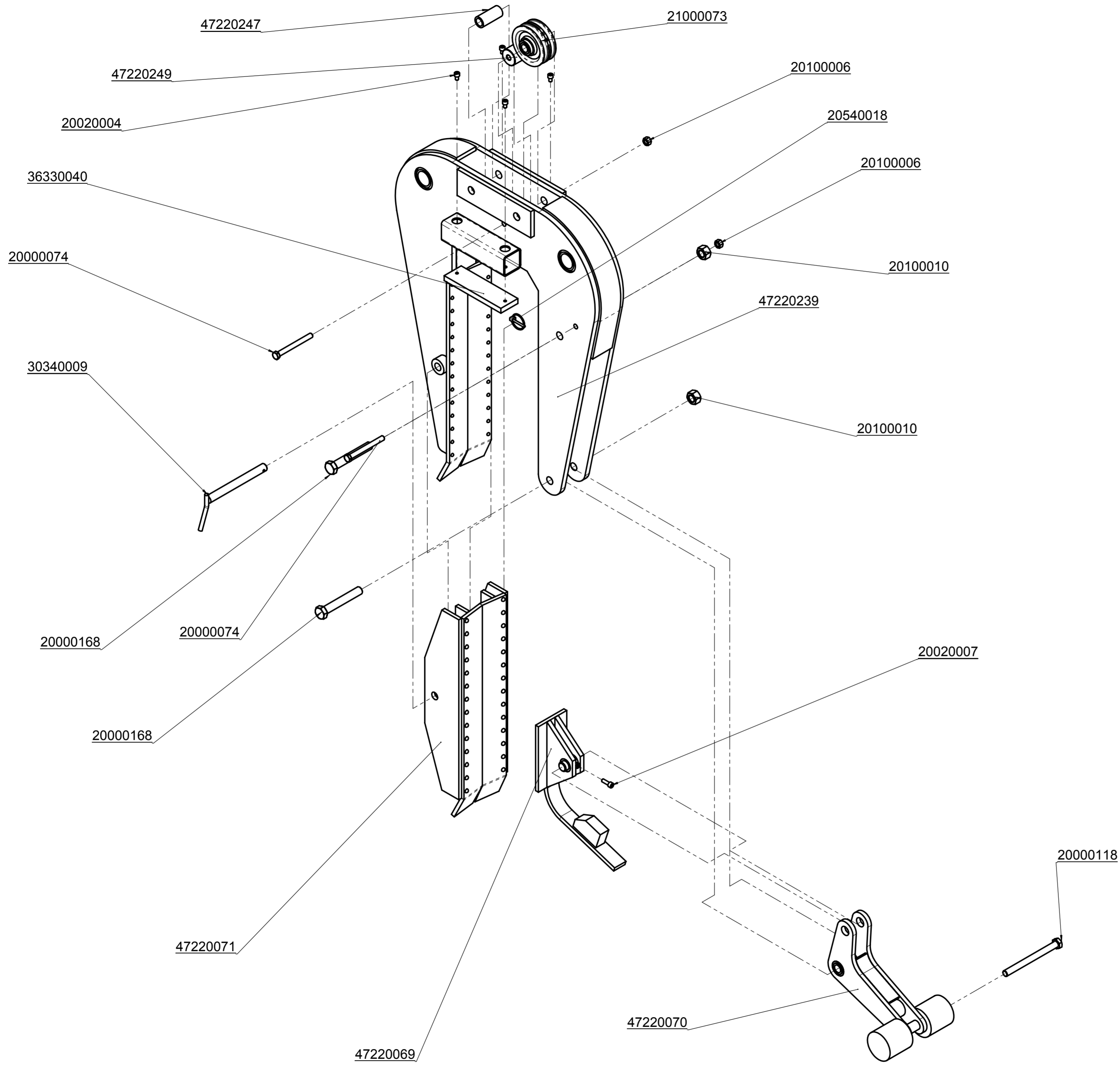
Schutzvermerk nach DIN 34 beachten!
Nachdruck nur mit unserer Genehmigung!

	Datum	Name	Benennung
Erst.	3.11.2008	P.Hafenbrak	Großrohrgreifer RK 4
Gepr.			NW 1000-1800
			Tragfähigkeit 7.500 kg
WA:			Artikelnummer/Zeichnungsnummer
Kunde:			E57300001
Zust.	Urspr. F038-1Z001	Ers. f.	Ers. d.

Blatt 1 von 1



		Bei Änderungen Rücksprache TB !	
		Gewicht: 56,6 kg	
		Schutzvermerk nach DIN 34 beachten! Nachdruck nur mit unserer Genehmigung!	
	Datum	Name	Benennung
Erst.	3.11.2008	P.Hafenbrak	Oberteil zu Ringrebs RK 4
Gepr.			NW 1000-1800
			Tragfähigkeit 7.500 kg
WA:			Artikelnummer/Zeichnungsnummer
Kunde:			E47220072
Zust.	Urspr. F038-20001	Ers. f.	Ers. d.
			Blatt 1 von 1



			Bei Änderungen Rücksprache TB !	
			Gewicht: 148,6 kg	
			Schutzvermerk nach DIN 34 beachten! Nachdruck nur mit unserer Genehmigung!	
	Datum	Name	Benennung	
Erst.	31.5.2010	P.Hafenbrak	Klaue für Ringkrebs RK 4	
Gepr.			Et. 750	
			ÖW 135-270 (85-220)	
WA:			Artikelnummer/Zeichnungsnummer	Blatt
Kunde:			E47220068	1
Zust.	Urspr.	Ers. f.	Ers. d.	von 1

8 7 6 5 4 3 2 1

F

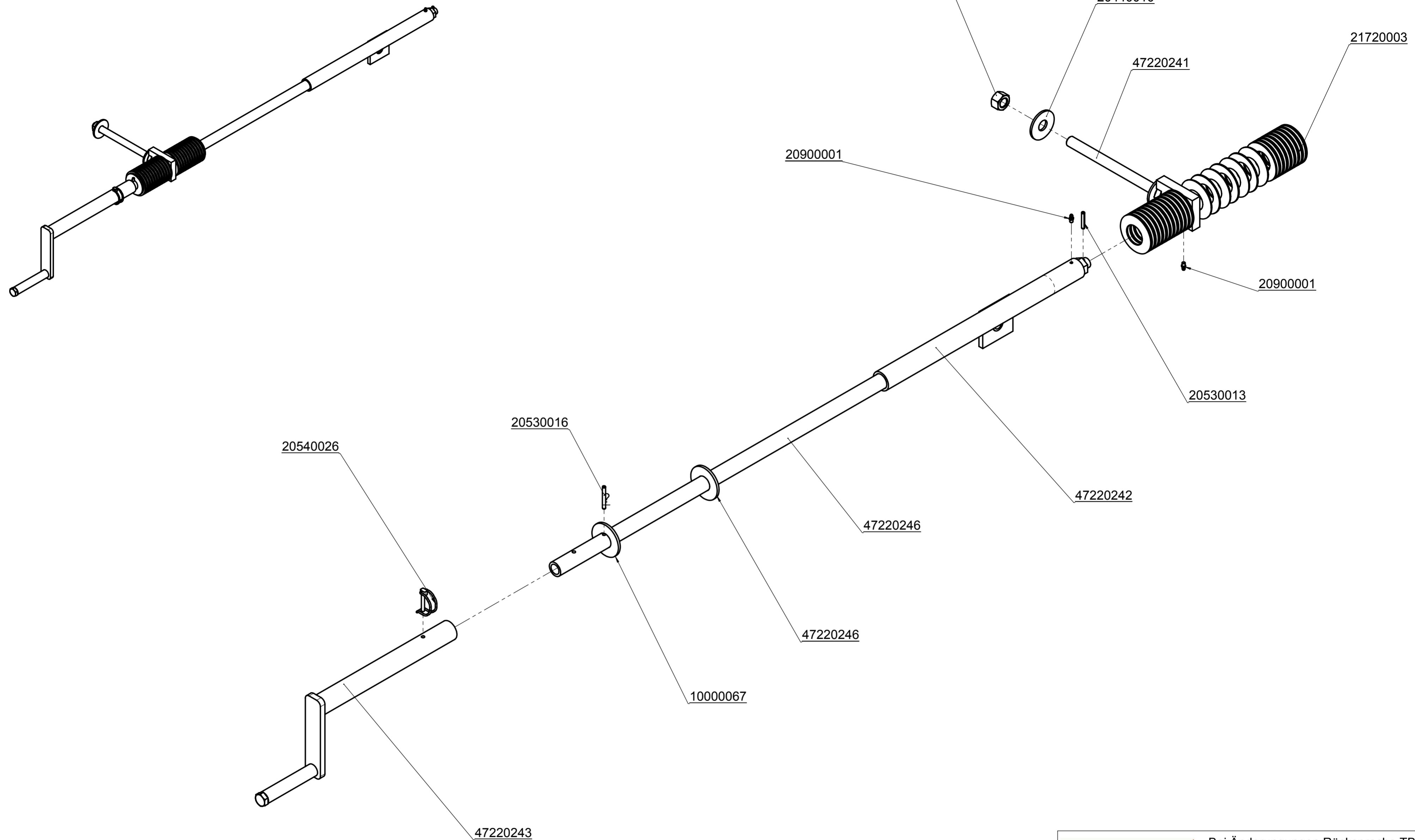
E

D

C

B

A



Bei Änderungen Rücksprache TB !

probst
Greiftechnik - Verlegesysteme

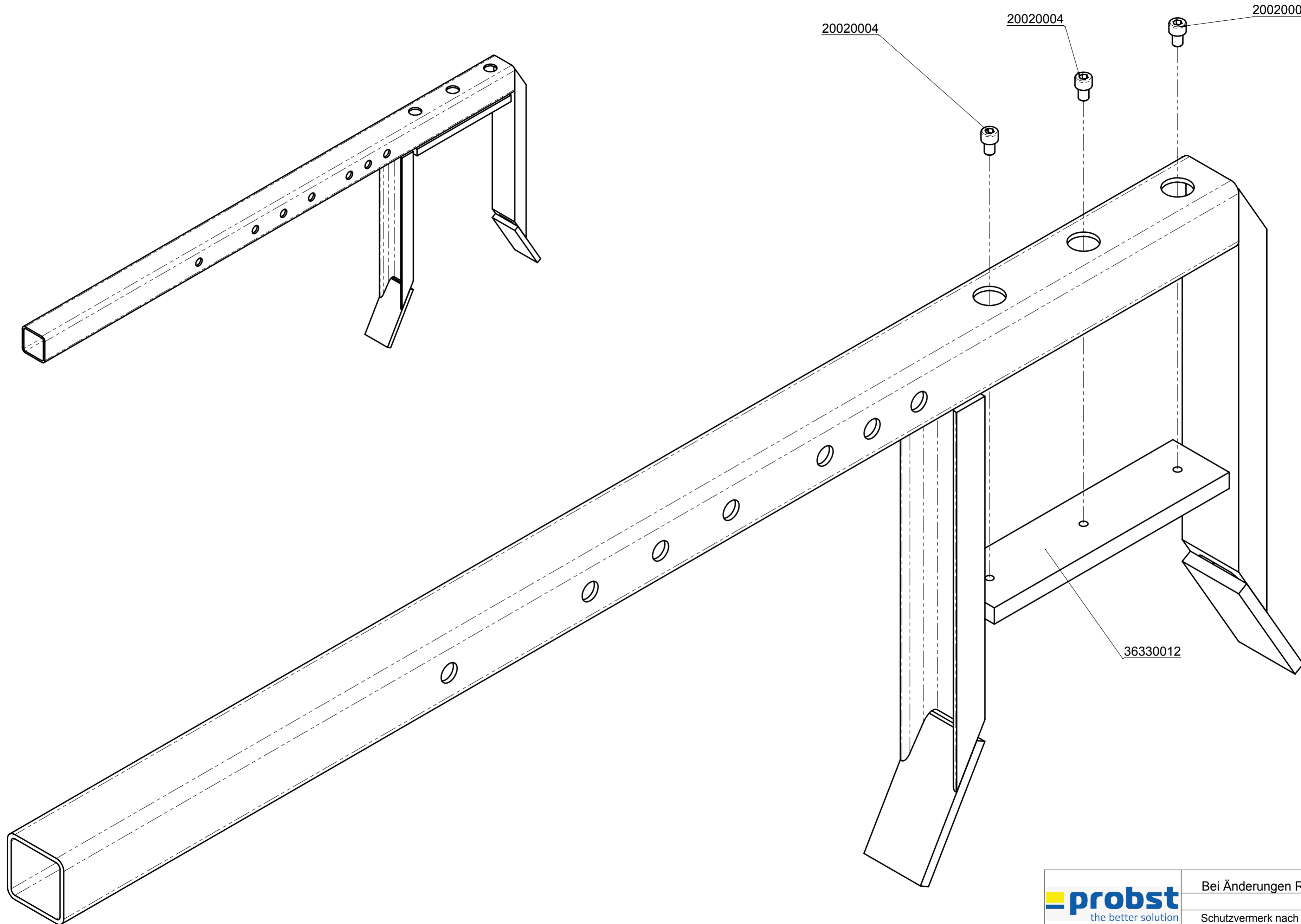
Gewicht: 14,2 kg

Schutzvermerk nach DIN 34 beachten!
Nachdruck nur mit unserer Genehmigung!

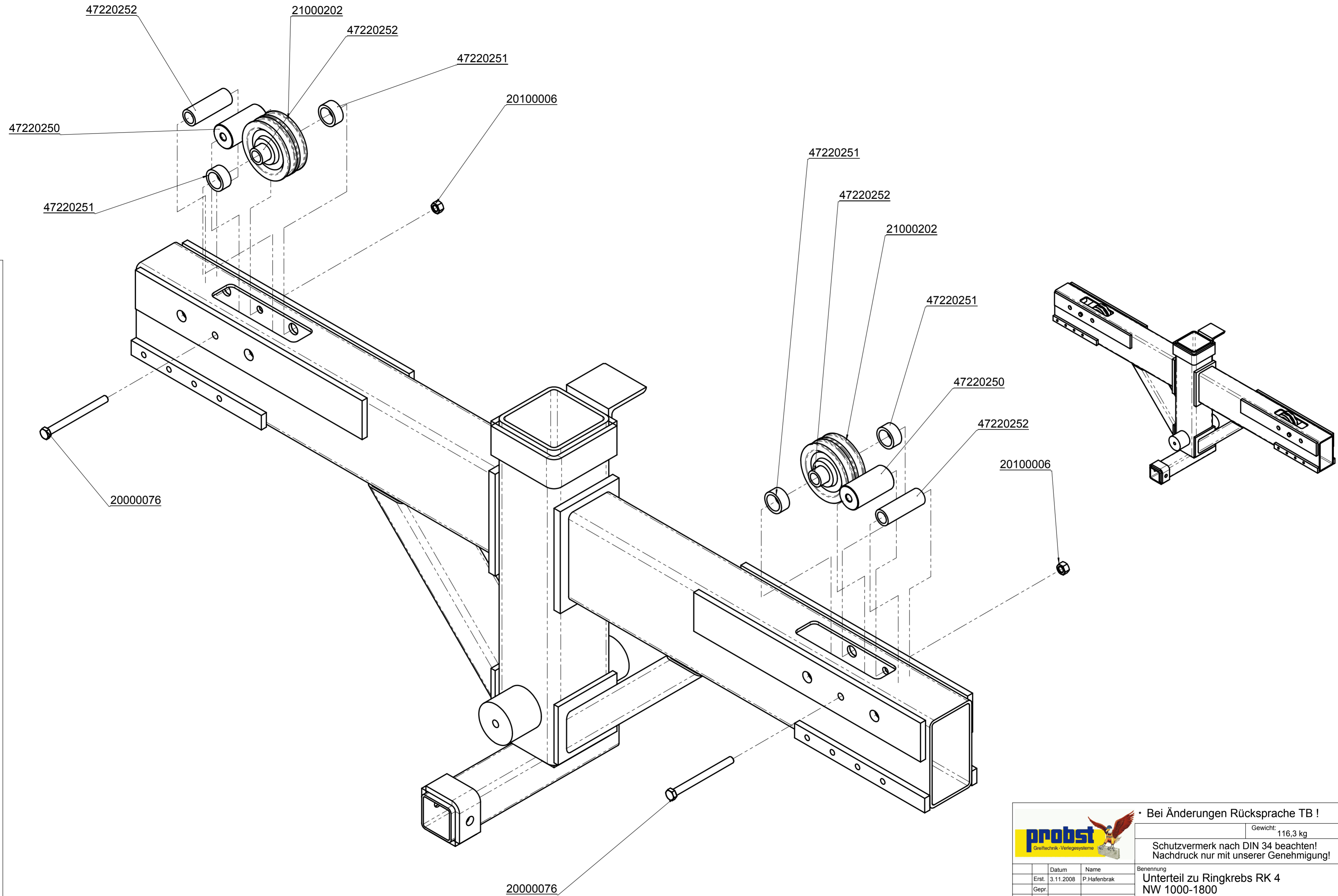
	Datum	Name	Benennung
Erst.	10.11.2008	P.Hafenbrak	Nennweitenverstellung für Ringrebs RK 4 NW 1000-1800 - Tk 7.500 kg
Gepr.			
WA:			Artikelnummer/Zeichnungsnummer
Kunde:			
Zust.	Urspr. F038-10016	Ers. f.	Ers. d.

Blatt 1 von 1

8 7 6 5 4 3 2 1



		Bei Änderungen Rücksprache TB !	
		Gewicht: 13,8 kg	
		Schutzvermerk nach DIN 34 beachten! Nachdruck nur mit unserer Genehmigung!	
	Datum	Benennung	
Erst.	31.5.2010	Zentriergabel für Ringrebs RK4	
Gepr.		NW 1000-1800	
WA:		Artikelnummer/Zeichnungsnummer	
Kunde:		E47220075	
Zust.	Urspr. F038-30005	Ers. f.	Ers. d.



Bei Änderungen Rücksprache TB !

probst
Greiftechnik - Verlegesysteme

Gewicht: 116,3 kg

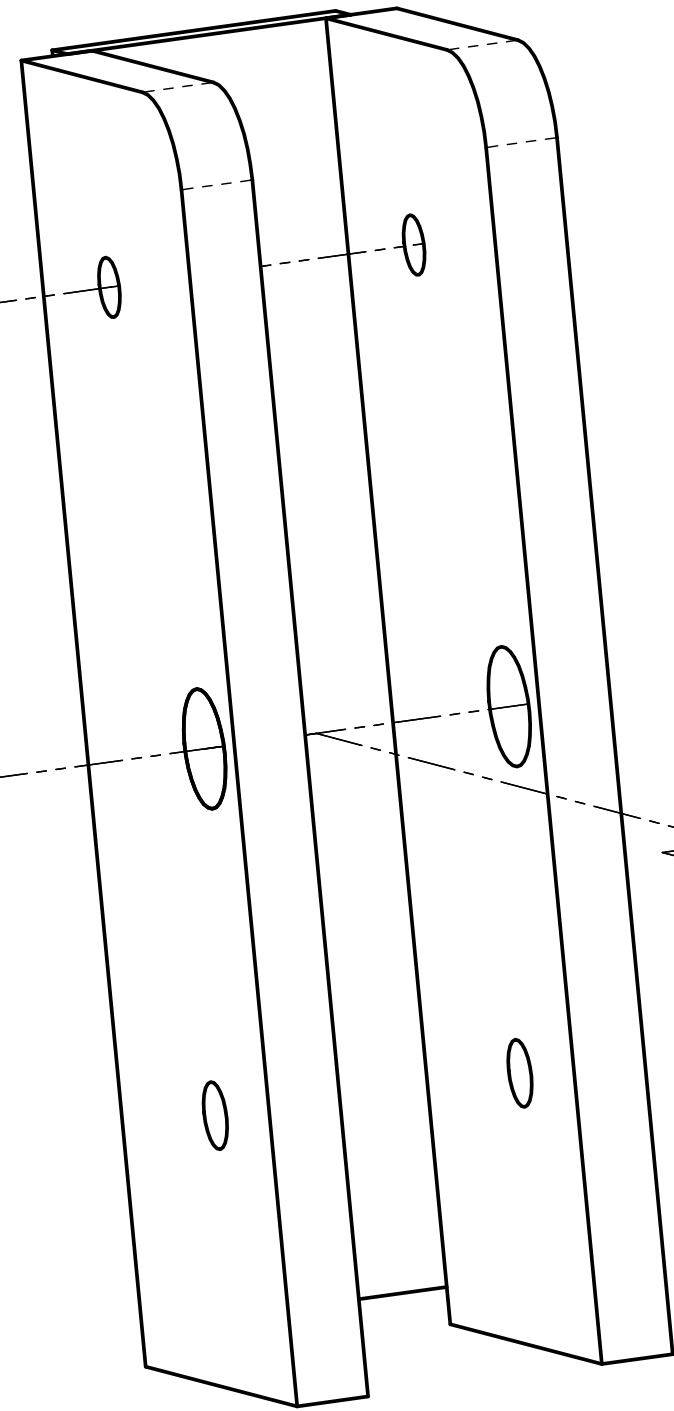
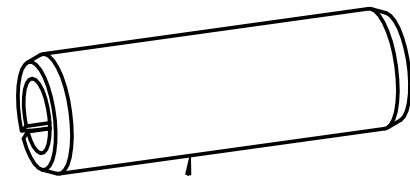
Schutzvermerk nach DIN 34 beachten!
Nachdruck nur mit unserer Genehmigung!

	Datum	Name	Benennung	
Erst.	3.11.2008	P.Hafenbrak	Unterteil zu Ringkrebs RK 4	
Gepr.			NW 1000-1800	
			Tragfähigkeit 7.500 kg	
WA:			Artikelnummer/Zeichnungsnummer	Blatt
Kunde:			E47220074	1
Zust.	Urspr. F038-20002		Ers. f.	von 1
			Ers. d.	

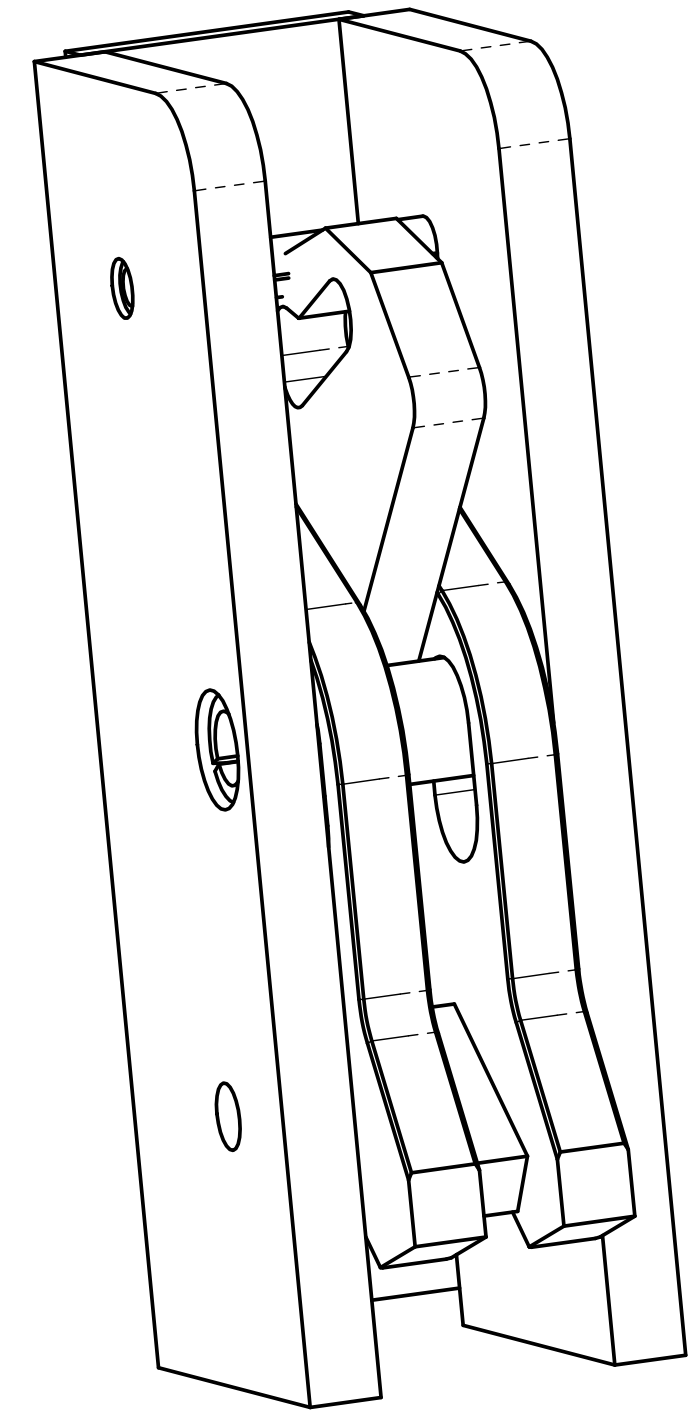
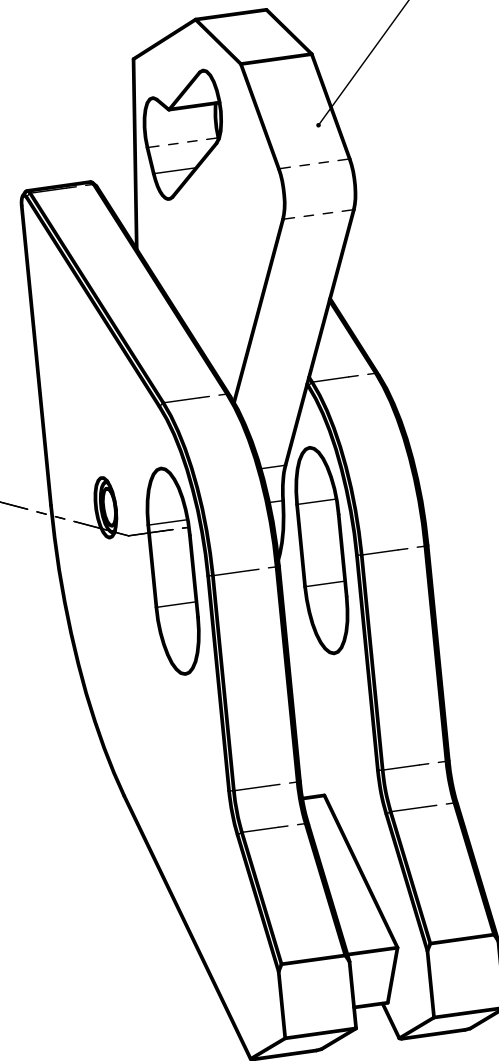
40110056



20530039



40110042



Bei Änderungen Rücksprache TB !

Gewicht: 2,9 kg

Schutzvermerk nach DIN 34 beachten!
Nachdruck nur mit unserer Genehmigung!

	Datum	Name
Erstellt	11.6.2003	Pannier
Gepr.		

Benennung
Wechselautomatik WA-S

WA:
Kunde:

Artikelnummer/Zeichnungsnummer
E40110034

Blatt
1
von 1

Zust. Urspr. N235-1

Ers. f.

Ers. d.

probst
handling equipment

MSP-3-S-85-3 x SPS
23/13-a 35-40

Artikel-Nr. 53100130
Geräte-Nr. 31516003-10-001
Bauplan 2016
Eigengewicht 18 kg
Tragfähigkeit (WLL) 250 kg
Greifbereich 63 - 540 mm
Eintauchtiefe 130 mm

Probst GmbH
Gottlieb-Daimler-Strasse 6
D - 71729 Erdmannhausen
Tel: +49 (0) 7144 3309-0
www.probst-handling.de

0 123456 789012

Sachkundigenprüfung
Expert inspection

Nächste Prüfung
Next inspection

Bei Bedarf früher
If required earlier

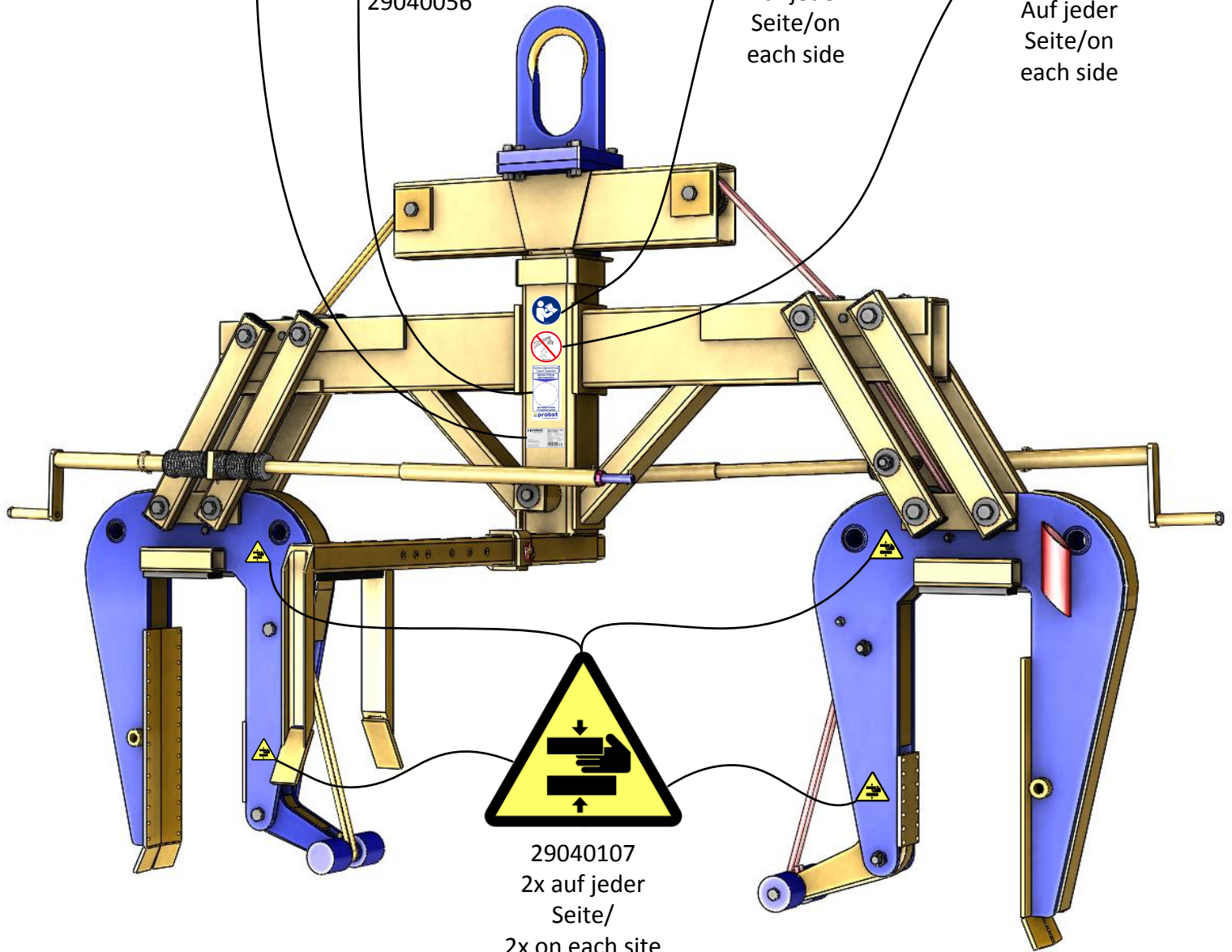
probst
handling equipment



29040666
Auf jeder
Seite/on
each side



29040204
Auf jeder
Seite/on
each side



29040056

29040107
2x auf jeder
Seite/
2x on each site

Proof of maintenance

The claim under guarantee for this device only exists and is subject to the proper execution of the mandatory maintenance works. (In case of warranty request please always attach a copy of the proof of maintenance)

Operator: _____

Device type: _____

Device-No.: _____

Article -No.: _____

Year of make: _____

First inspection after 25 operating hours

Date:	Maintenance work:	Inspection by company:
_____	_____	_____ <i>Company stamp</i> _____ <i>Name Signature</i>
_____	_____	
_____	_____	
_____	_____	

After 50 operating hours

Date:	Maintenance work:	Inspection by company:
_____	_____	_____ <i>Company stamp</i> _____ <i>Name Signature</i>
_____	_____	
_____	_____	
_____	_____	
_____	_____	_____ <i>Company stamp</i> _____ <i>Name Signature</i>
_____	_____	
_____	_____	
_____	_____	
_____	_____	_____ <i>Company stamp</i> _____ <i>Name Signature</i>
_____	_____	
_____	_____	
_____	_____	

Minimum 1x per year

Date:	Maintenance work:	Inspection by company:
_____	_____	_____ <i>Company stamp</i> _____ <i>Name Signature</i>
_____	_____	
_____	_____	
_____	_____	
_____	_____	_____ <i>Company stamp</i> _____ <i>Name Signature</i>
_____	_____	
_____	_____	
_____	_____	